

SI SERIES







330-345W



● SI SERIES

On the 156.75mm silicon wafers, seraphim rely on the advanced technology and unique understanding of materials throughout the product design, to ensure the stable power output of the module, and effectively improve the efficiency and reliability of the modules.

● KEY FEATURES

-  Less mismatch to get more power
-  Less power loss by minimizing the shading impact
-  Competitive low light performance
-  3 times EL test to ensure best quality
-  Ideal choice for utility and commercial scale projects by reduced BoS and improved ROI
-  Outstanding reliability proven by PVEL for stringent environment condition:
 - Sand, acid, salt, and hail stones
 - 2400 Pa wind load and 5400 Pa snow load
 - Anti-PID

● QUALITY SYSTEM

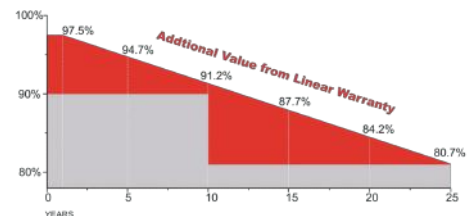
ISO9001 / ISO14001 / ISO45001

● PRODUCT CERTIFICATION



● INSURANCE **PICC**

● WARRANTY



10 YEARS Guarantee on product material and workmanship

25 YEARS Linear power output warranty



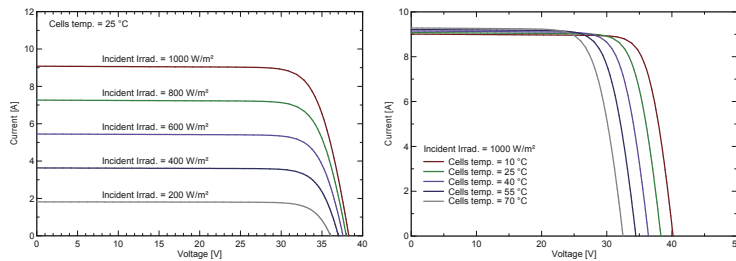
SRP-6PA(-HV) SERIES 6 INCH 72 CELLS

Electrical Characteristics

Module Type	SRP-330-6PA SRP-330-6PA-HV		SRP-335-6PA SRP-335-6PA-HV		SRP-340-6PA SRP-340-6PA-HV		SRP-345-6PA SRP-345-6PA-HV	
	STC	NOCT	STC	NOCT	STC	NOCT	STC	NOCT
Maximum Power -P _{mp} (W)	330	248	335	251	340	255	345	258
Open Circuit Voltage -V _{oc} (V)	45.9	42.9	46.2	43.2	46.4	43.4	46.5	43.6
Short Circuit Current -I _{sc} (A)	9.12	7.37	9.20	7.43	9.30	7.51	9.41	7.58
Maximum Power Voltage -V _{mp} (V)	37.5	35.5	37.7	35.8	37.9	36.0	38.1	36.2
Maximum Power Current -I _{mp} (A)	8.80	6.99	8.89	7.03	8.98	7.09	9.06	7.14
Module Efficiency STC-η _m (%)	17.01/16.89		17.26/17.15		17.52/17.40		17.78/17.65	
Power Tolerance (W)	(0, +4.99)							
Maximum System Voltage (V)	1000V DC / 1500V DC							
Maximum Series Fuse Rating (A)	20 A							
Pmax Temperature Coefficient	-0.35 %/°C							
Voc Temperature Coefficient	-0.27 %/°C							
Isc Temperature Coefficient	+0.05 %/°C							
Operating Temperature	-40~+85 °C							
Nominal Operating Cell Temperature	45±2 °C							

STC: Irradiance 1000W/m² module temperature 25 °C AM=1.5
NOCT: Irradiance 800W/m² ambient temperature 20°C wind speed: 1m/s
Power measurement tolerance: +/-3%

I-V Curve



Mechanical Specifications

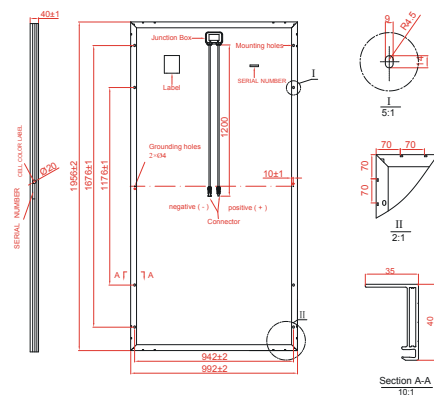
External Dimension	1956 x 992 x 40 mm/1970 x 992 x 40 mm
Weight	21.5 kg/22.0 kg
Solar Cells	Poly crystalline 156.75 x 156.75mm (72pcs)
Front Glass	3.2mm AR coating tempered glass, low iron
Frame	Anodized aluminium alloy
Junction Box	IP68, 3 diodes
Output Cables	4.0mm ² , cable length:1200 mm
Mechanical Load	Front side 5400Pa/ Rear side 2400Pa

Packing Configuration

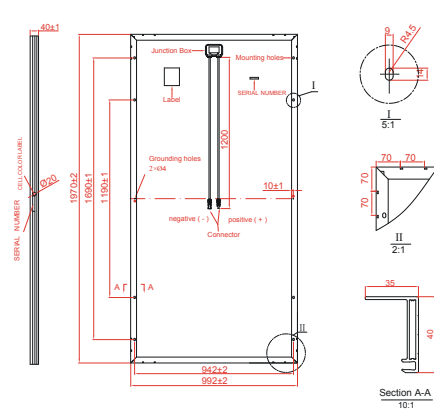
External Dimension	1956 x 992 x 40 mm/1970 x 992 x 40 mm
Container	20'GP 40'HQ
Pieces per Pallet	27 27+2*
Pallets per Container	10 22
Pieces per Container	270 638

* 27+2 pieces per pallet is the special package which only suits for container transport. For details, please consult SERAPHIM.

Technical Drawing (SRP-XXX-6PA)



Technical Drawing (SRP-XXX-6PA-HV)



* All Dimensions in mm.
* The above drawing is a graphical representation of the product. For engineering quality drawings please contact SERAPHIM.

