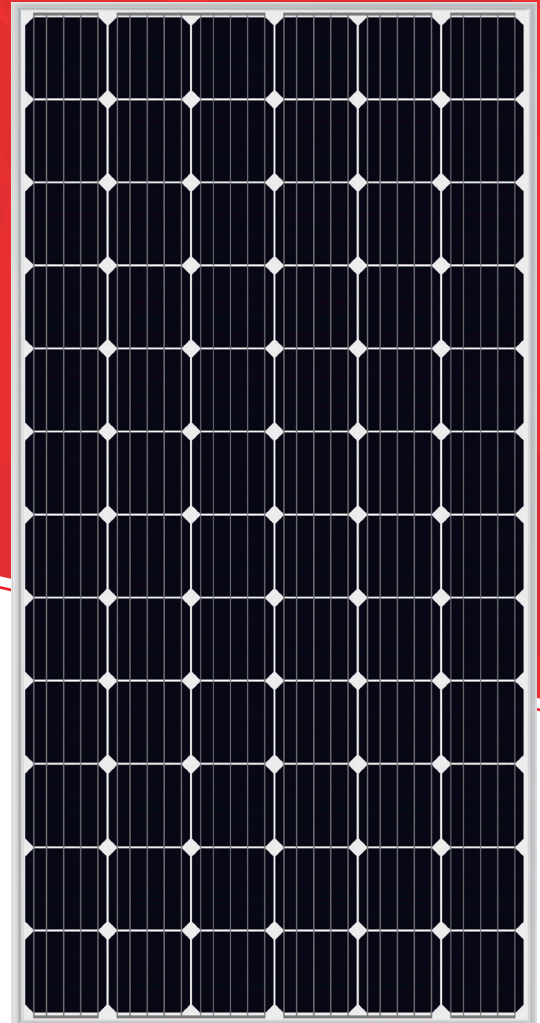


SRP-6MA(-HV) SERIES 6 INCH 72 CELLS

# 365-380w



## KEY FEATURES



Bankable products



Top rank in Photon yield measurement



Safety for salt mist corrosion  
Safety for ammonia corrosion



Safety for fire risk  
(Class C tested in TÜV SÜD and Rheinland)



Outstanding power output capability at low irradiance



Triple 100% Electroluminescence (EL) tests minimize breakage rate



World 1st company to pass "Thresher Test" and "On-site Power Measurement Validation" certificate



Anti-PID products, passing TÜV SÜD system voltage durability test



Tested and certified according to newest IEC standard  
IEC61730-1:2016 IEC61215-1:2016  
IEC61730-2:2016 IEC61215-2:2016

### MANAGEMENT SYSTEM

ISO 9001: Quality management system

ISO 14001: Standard for environmental management system

OHSAS 18001: International standard for occupational health and safety assessment system

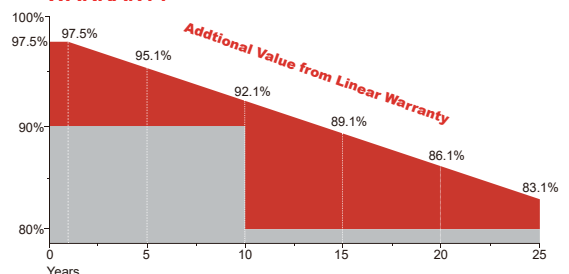
### INSURANCE

**PICC**

### PRODUCT CERTIFICATES



### WARRANTY



Guarantee on product material and workmanship



linear power output warranty

Specifications are subject to change without further notification SRP-DS-EN-2020V1.0 © Copyright 2020 Seraphim



SRP-XXX-6MA: Maximum System Voltage 1000 VDC.  
 SRP-XXX-6MA-HV: Maximum System Voltage 1500 VDC.

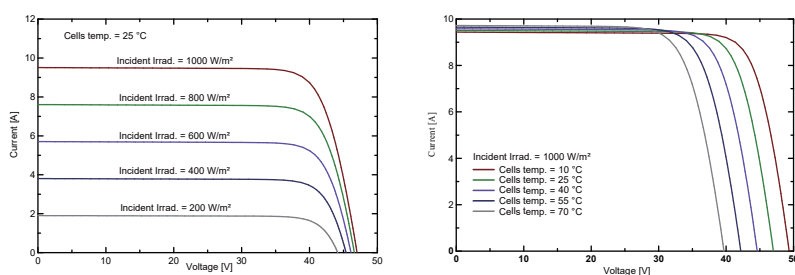
# SRP-6MA(-HV) SERIES 6 INCH 72 CELLS

## Electrical Characteristics

Module Type	SRP-365-6MA SRP-365-6MA-HV		SRP-370-6MA SRP-370-6MA-HV		SRP-375-6MA SRP-375-6MA-HV		SRP-380-6MA SRP-380-6MA-HV	
	STC	NOCT	STC	NOCT	STC	NOCT	STC	NOCT
Maximum Power -P <sub>mp</sub> (W)	365	271	370	274	375	278	380	282
Open Circuit Voltage -V <sub>oc</sub> (V)	47.6	44.0	47.8	44.1	48.0	44.3	48.3	44.6
Short Circuit Current -I <sub>sc</sub> (A)	9.78	7.90	9.88	7.97	9.96	8.05	10.02	8.11
Maximum Power Voltage -V <sub>mp</sub> (V)	38.7	36.3	38.9	36.4	39.1	36.6	39.4	36.9
Maximum Power Current -I <sub>mp</sub> (A)	9.44	7.47	9.52	7.53	9.60	7.60	9.65	7.65
Module Efficiency STC-η <sub>m</sub> (%)	18.81/18.68		19.07/18.93		19.33/19.19		19.58/19.44	
Power Tolerance (W)	(0,+4.99)							
Maximum System Voltage (V)	1000VDC / 1500VDC							
Maximum Series Fuse Rating (A)	20A							
Pmax Temperature Coefficient	-0.36 %/°C							
Voc Temperature Coefficient	-0.28 %/°C							
Isc Temperature Coefficient	+0.05 %/°C							
Operating Temperature	-40~+85 °C							
Nominal Operating Cell Temperature	45±2 °C							

STC: Irradiance 1000 W/m<sup>2</sup> module temperature 25°C AM=1.5  
 NOCT: Irradiance 800 W/m<sup>2</sup> ambient temperature 20°C wind speed :1m/s Power measurement tolerance: +/-3%

## I-V Curve



## Mechanical Specifications

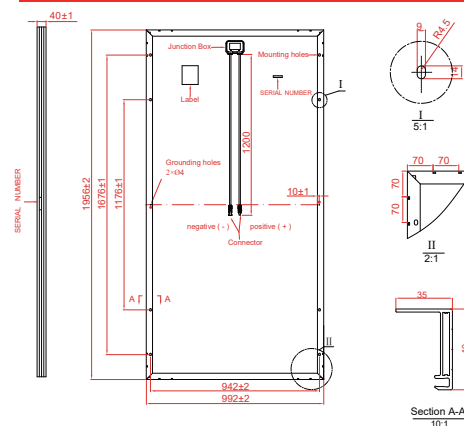
External Dimension	1956 x 992 x 40mm/1970 x 992 x 40mm
Weight	21.5kg/22.0kg
Solar Cells	PERC Mono crystalline 156.75 x 156.75 mm (72pcs)
Front Glass	3.2 mm AR coating tempered glass, low iron
Frame	Anodized aluminium alloy
Junction Box	IP68, 3 diodes
Output Cables	4.0 mm <sup>2</sup> , cable length:1200 mm
Connector	MC4 Compatible
Mechanical Load	Front side 5400Pa/ Rear side 2400Pa

## Packing Configuration

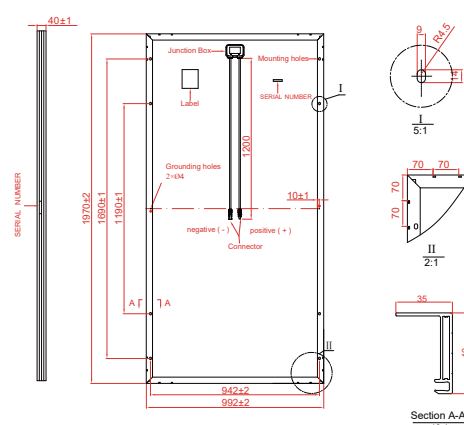
External Dimension	1956 x 992 x 40mm/1970 x 992 x 40mm		
Container	20'GP	40'GP	40'HQ
Pieces per Pallet	27	27	27+2*
Pallets per Container	10	22	22
Pieces per Container	270	594	638

\* 27+2 pieces per pallet is the special package which only suits for container transport.For details,please consult SERAPHIM.

## Technical drawing(SRP-XXX-6MA)



## Technical drawing(SRP-XXX-6MA-HV)



\* All Dimensions in mm.  
 \* The above drawing is a graphical representation of the product.  
 For engineering quality drawings please contact SERAPHIM.

Specifications are subject to change without further notification SRP-DS-EN-2020V1.0 © Copyright 2020 Seraphim

